

DÉCLARATION DES PERFORMANCES**n° 6 1004/A-FR**

Règlement (EU) 305/2011

1. Code d'identification unique du produit type:

EZ-Firestop® Grommet RFG2

2. Numéro de type, de lot ou de série ou tout autre élément permettant l'identification du produit de construction, conformément à l'article 11, paragraphe 4 :

350705

3. Usage ou usages prévus du produit de construction, conformément à la spécification technique harmonisée applicable, comme prévu par le fabricant:

Système de calfeutrement de pénétrants électriques pour maintenir la résistance au feu d'un élément de séparation selon ETA-18/0307

4. Nom, raison sociale ou marque déposée et adresse de contact du fabricant, conformément à l'article 11, paragraphe 5 :

LEGRAND SNC, 128, Avenue de Lattre-de-Tassigny - 87045 LIMOGES Cedex – France

5. Nom et adresse de contact du mandataire dont le mandat couvre les tâches visées à l'article 12, paragraphe 2:

Non applicable

6. Le ou les systèmes d'évaluation et de vérification de la constance des performances du produit de construction, conformément à l'annexe V :

Système 1

7. Dans le cas de la déclaration des performances concernant un produit de construction couvert par une norme harmonisée :

Non applicable

8. Dans le cas de la déclaration des performances concernant un produit de construction pour lequel une évaluation technique européenne a été délivrée :

UL International (UK) LTD a délivré l'Agrément Technique Européen ETA-18/0307 sur la base de l'EAD n° 350454-00-1104 (09/2017), a effectué les tâches de tierce partie figurant à l'annexe V pour le système 1 et a délivré le certificat de conformité 0843-CPR-0428.

9. Performances déclarées :

Caractéristiques essentielles	Performances	Spécifications techniques harmonisées
Réaction au feu	Classe E	EN 13501-1
Résistance au feu	Voir ETA-18/0307 annexe A/B	EN 13501-2
Substances dangereuses	IA1, S/W3	ETA-18/0703, § 3
Durabilité et aptitude à l'usage	Y2	ETA-18/0703, § 3

10. Les performances du produit identifié aux points 1 et 2 sont conformes aux performances déclarées indiquées au point 9. La présente déclaration des performances est établie sous la seule responsabilité du fabricant identifié au point 4.

Sillé le Guillaume, 16/07/2018

C ALBERT



Page 1/1

Research & development cable management SBU

DECLARATION OF PERFORMANCE**n° 6 1004/A-EN**

Regulation (EU) 305/2011

1. Unique identification code of the product-type

EZ-Firestop® Grommet RFG2

2. Type, batch or serial number or any other element allowing identification of the construction product as required pursuant to Article 11(4) :

350705

3. Intended use or uses of the construction product, in accordance with the applicable harmonised technical specification:

Penetration seal system to maintain the fire resistance of a separating element where electrical services pass through according to ETA-18/0307

4. Name, registered trade name or registered trade mark and contact address of the manufacturer as required pursuant to Article 11(5) :

LEGRAND SNC, 128, Avenue de Lattre-de-Tassigny - 87045 LIMOGES Cedex – France

5. Name and contact address of the authorised representative whose mandate covers the tasks specified in Article 12(2)

Non applicable

6. System or systems of assessment and verification of constancy of performance of the construction product as set out in Annex V:

System 1

7. In case of the declaration of performance concerning a construction product covered by a harmonised standard:

Non applicable

8. In case of the declaration of performance concerning a construction product for which a European Technical Assessment has been issued :

UL International (UK) LTD issued European Technical Approval ETA-18/0307 on the basis of EAD No. 350454-00-1104 (09/2017), performed third party tasks as set out in Annex V under System 1 and issued Certification of Conformity 0843-CPD-0428.

9. Declared performance :

Essential characteristics	Performance	Harmonised technical specification
Reaction to fire	Class E	EN 13501-1
Resistance to fire	See appended ETA-18/0307 annex A/B	EN 13501-2
Dangerous substances	IA1, S/W3	ETA-18/0703, § 3
Durability and serviceability	Y2	ETA-18/0703, § 3

10. The performance of the product identified in points 1 and 2 is in conformity with the declared performance in point 9. This declaration of performance is issued under the sole responsibility of the manufacturer identified in point 4.

Sillé le Guillaume, 16/07/2018

C ALBERT



LEISTUNGSERKLÄRUNG**n° 6 1004/A-DE**

VERORDNUNG (EU) Nr. 305/2011

1. Eindeutiger Kenncode des Produkttyps :

EZ-Firestop® Grommet RFG2

2. Typen-, Chargen- oder Seriennummer oder ein anderes Kennzeichen zur Identifikation des Bauprodukts gemäß Artikel 11 Absatz 4 :

350705

3. Vom Hersteller vorgesehener Verwendungszweck oder vorgesehene Verwendungszwecke des Bauprodukts gemäß der anwendbaren harmonisierten technischen Spezifikation :

Brandschott Modul für Abschottung von Leitungsdurchführungen, zur Erhalt der Feuerbeständigkeit einer Trennwand oder Trenndecke laut ETA-13/0993

4. Name, eingetragener Handelsname oder eingetragene Marke und Kontaktanschrift des Herstellers gemäß Artikel 11 Absatz 5:

LEGRAND SNC, 128, Avenue de Lattre-de-Tassigny - 87045 LIMOGES Cedex – France

5. Gegebenenfalls Name und Kontaktanschrift des Bevollmächtigten, der mit den Aufgaben gemäß Artikel 12 Absatz 2 beauftragt ist :

Nicht zutreffend.

6. System oder Systeme zur Bewertung und Überprüfung der Leistungsbeständigkeit des Bauprodukts gemäß Anhang V :

System 1

7. Im Falle der Leistungserklärung, die ein Bauprodukt betrifft, das von einer harmonisierten Norm erfasst wird :

Nicht zutreffend.

8. Im Falle der Leistungserklärung, die ein Bauprodukt betrifft, für das eine Europäische Technische Bewertung ausgestellt worden ist :

UL International (UK) LTD hat eine Europäische Technische Zulassung ETA-18/0307 herausgegeben, basierend auf EAD N° 350454-00-1104 (09/2017), und hat die Tätigkeiten eines unabhängigen Dritten ausgeführt wie beschrieben in Anhang V unter System 1 und hat eine Konformitätsbescheinigung 0843-CPD-0428 abgegeben.

9. Erklärte Leistung :

Wesentliche Merkmale	Leistung	Harmonisierte technische Spezifikation
Brandverhalten	Klasse E	EN 13501-1
Feuerbeständigkeit	Sehe ETA-18/0307 anhang A/B	EN 13501-2
Gefährliche Stoffe	IA1, S/W3	ETA-18/00703, § 3
Dauerhaftigkeit und Anwendungsfähigkeit	Y2	ETA-18/00703, § 3

10. Die Leistung des Produkts gemäß den Nummern 1 und 2 entspricht der erklärten Leistung nach Nummer 9. Verantwortlich für die Erstellung dieser Leistungserklärung ist allein der Hersteller gemäß Nummer 4.

Sillé le Guillaume, 16/07/2018

C ALBERT



DICHIARAZIONE DI PRESTAZIONE**n° 6 1004/A-IT**

REGOLAMENTO (EU) 305/2011

1. Codice di identificazione unico del prodotto-tipo:

EZ-Firestop® Grommet RFG2

2. Numero di tipo, lotto, serie o qualsiasi altro elemento che consenta l'identificazione del prodotto da costruzione ai sensi dell'articolo 11, paragrafo 4 :

350705

3. Uso o usi previsti del prodotto da costruzione, conformemente alla relativa specifica tecnica armonizzata, come previsto dal fabbricante :

Sistema sigillante a penetrazione per garantire la resistenza al fuoco di elementi di separazione di servizi elettrici in conformità all'ETA-13/0993.

4. Nome, denominazione commerciale registrata o marchio registrato e indirizzo del fabbricante ai sensi dell'articolo 11, paragrafo 5 :

LEGRAND SNC, 128, Avenue de Lattre-de-Tassigny - 87045 LIMOGES Cedex – France

5. Se opportuno, nome e indirizzo del mandatario il cui mandato copre i compiti cui all'articolo 12, paragrafo 2 :

Non applicabile

6. Sistema o sistemi di valutazione e verifica della costanza della prestazione del prodotto da costruzione di cui all'allegato V :

Sistema 1

7. Nel caso di una dichiarazione di prestazione relativa ad un prodotto da costruzione che rientra nell'ambito di applicazione di una norma armonizzata :

Non applicabile

8. Nel caso di una dichiarazione di prestazione relativa ad un prodotto da costruzione per il quale è stata rilasciata una valutazione tecnica europea :

La UK International (UK) LTD ha emesso un documento tecnico Europeo ETA-18/0307 sulla base di ETAG No. 350454-00-1104(09/2017), e ha realizzato attività di parte terza come evidenziato nell'annesso V in accordo al Sistema 1 e ha emesso un certificato di conformità 0843-CPD-0428.

9. Prestazione dichiarata :

Caratteristiche essenziali	Prestazione	Specifica tecnica armonizzata
Reazione al fuoco	Classe E	EN 13501-1
Resistenza al fuoco	Vedi ETA-18/0703 Annesso A/B	EN 13501-2
Sostanze pericolose	IA1, S/W3	ETA-18/0703, § 3
Durata e attitudine all'uso	Y2	ETA-18/0703, § 3

10. La prestazione del prodotto di cui ai punti 1 e 2 è conforme alla prestazione dichiarata di cui al punto 9. Si rilascia la presente dichiarazione di prestazione sotto la responsabilità esclusiva del fabbricante di cui al punto 4.

Sillé le Guillaume, 16/07/2018

C ALBERT



Pagina 1/1

Research & development cable management SBU

DECLARACIÓN DE PRESTACIONES**n° 6 1004/A-ES**

REGLAMENTO (EU) 305/2011

1. Código de identificación única del producto tipo:

EZ-Firestop® Grommet RFG2

2. Tipo, lote o número de serie o cualquier otro elemento que permita la identificación del producto de construcción como se establece en el artículo 11, apartado 4 :

350705

3. Uso o usos previstos del producto de construcción, con arreglo a la especificación técnica armonizada aplicable, tal como lo establece el fabricante :

Sistema de sellado para mantener la resistencia al fuego de un elemento separador a través del que pasan los servicios eléctricos según ETA-13/0993

4. Nombre, nombre o marca registrados y dirección de contacto del fabricante según lo dispuesto en el artículo 11, apartado 5 :

LEGRAND SNC, 128, Avenue de Lattre-de-Tassigny - 87045 LIMOGES Cedex – France

5. En su caso, nombre y dirección de contacto del representante autorizado cuyo mandato abarca las tareas especificadas en el artículo 12, apartado 2 :

No aplica

6. Sistema o sistemas de evaluación y verificación de la constancia de las prestaciones del producto de construcción tal como figura en el anexo V :

Sistema 1

7. En caso de declaración de prestaciones relativa a un producto de construcción cubierto por una norma :

Non aplica

8. En caso de declaración de prestaciones relativa a un producto de construcción para el que se ha emitido una evaluación técnica europea :

UL International (UK) LTD ha emitido un European Technical Approval-ETA-18/0703 sobre la base de ETAG No. 350454-00-1104 (09/2017), ha actuado como organismo notificado tal y como se dispone en el anexo V, Sistema 1 y ha emitido el certificado de conformidad 0843-CPD-0428.

9. Prestaciones declaradas:

Características esenciales	Prestaciones	Especificaciones técnicas armonizadas
Reacción al fuego	Clase E	EN 13501-1
Resistencia al fuego	Ver ETA-18/0703 anexo A/B adjunto	EN 13501-2
Sustancias peligrosas	IA1, S/W3	ETA-18/0703, § 3
Durabilidad y uso previsto	Y2	ETA-18/0703, § 3

10. Las prestaciones del producto identificado en los puntos 1 y 2 son conformes con las prestaciones declaradas en el punto 9.

La presente declaración de prestaciones se emite bajo la sola responsabilidad del fabricante identificado en el punto 4

Sillé le Guillaume, 16/07/2018

C ALBERT



PRESTATIEVERKLARING**n° 6 1004/A-NL**

VERORDENING (EU) 305/2011

1. Unieke identificatiecode van het producttype :

EZ-Firestop® Grommet RFG2

2. Type-, partij- of serienummer, dan wel een ander identificatiemiddel voor het bouwproduct, zoals voorgeschreven in artikel 11, lid 4:

350705

3. Beoogde gebruiken van het bouwproduct, overeenkomstig de toepasselijke geharmoniseerde technische specificatie, zoals door de fabrikant bepaald :

Brandwerende behuizing voor kabeldoorvoer met behoud van de brandwerende eigenschappen van wanden en vloeren in overeenstemming met ETA-13/0993

4. Naam, geregistreerde handelsnaam of geregistreerd handelsmerk en contactadres van de fabrikant, zoals voorgeschreven in artikel 11, lid 5 :

LEGRAND SNC, 128, Avenue de Lattre-de-Tassigny - 87045 LIMOGES Cedex – France

5. Indien van toepassing, naam en contactadres van de gemachtigde wiens mandaat de in artikel 12, lid 2, vermelde taken bestrijkt :

Niet van toepassing

6. Het systeem of de systemen voor de beoordeling en verificatie van de prestatiebestendigheid van het bouwproduct, vermeld in bijlage V :

Systeem 1

7. Indien de prestatieverklaring betrekking heeft op een bouwproduct dat onder een geharmoniseerde norm valt :

Niet van toepassing

8. Indien de prestatieverklaring betrekking heeft op een bouwproduct waarvoor een Europese technische beoordeling is afgegeven :

UL International (UK) LTD heeft een Europese technische beoordeling ETA-18/0703 verstrekt op basis van ETAG Nr.350454-00-1104 (09/2017) heeft onder Systeem 1 de in bijlage V genoemde taken uitgevoerd en heeft het Conformiteitscertificaat 0843-CPD-0428 verstrekt.

9. Aangegeven prestatie :

Essentiële kenmerken	Prestaties	Geharmoniseerde technische specificaties
Brandgedrag	Klasse E	EN 13501-1
Brandwerendheid	Zie ETA-18/0703 bijlage A/B	EN 13501-2
Gevaarlijke stoffen	IA1, S/W3	ETA-18/0703, § 3
Duurzaamheid en geschiktheid voor toepassing	Y2	ETA-18/0703, § 3

10. De prestaties van het in de punten 1 en 2 omschreven product zijn conform de in punt 9 aangegeven prestaties.**Deze prestatieverklaring wordt verstrekt onder de exclusieve verantwoordelijkheid van de in punt 4 vermelde fabrikant:**

Sillé le Guillaume, 16/07/2018

C ALBERT



Blz 1/1

Research & development cable management SBU



UL INTERNATIONAL (UK) LTD
 Womersley House, Building C,
 The Guildway,
 Old Portsmouth Road,
 Guildford. GU3 1LR.
 United Kingdom.



designated according to Article 29 of the Regulation (EU) No 305/2011 and member of EOTA (European Organisation for Technical Assessment, www.eota.eu)

European Technical Assessment	ETA 18/0307 of 11/06/2018
--------------------------------------	--------------------------------------

Technical Assessment Body issuing the 29 of the Regulation (EU) No 305/2011:	ETA and designated according to Article UL International (UK) Ltd
Trade name of the construction product	EZ-Firestop® Grommet
Product family to which the construction product belongs	Fire Stopping and Sealing Product: <ul style="list-style-type: none"> • Penetration Seals
Manufacturer	Legrand BP 30076 87002 Limoges CEDEX France
Manufacturing plant(s)	C/003, C/007
This European Technical Assessment contains	10 pages including 2 Annexes which form an integral part of this assessment.
This European Technical Assessment is issued in accordance with regulation (EU) No 305/2011, on the basis of	EAD 350454-00-1104, September 2017

Translations of this European Technical Assessment in other languages shall fully correspond to the original issued document and should be identified as such.

Communication of this European Technical Assessment, including transmission by electronic means, shall be in full. However, partial reproduction may be made, with the written consent of the issuing Technical Assessment Body. Any partial reproduction has to be identified as such.

Table of Contents

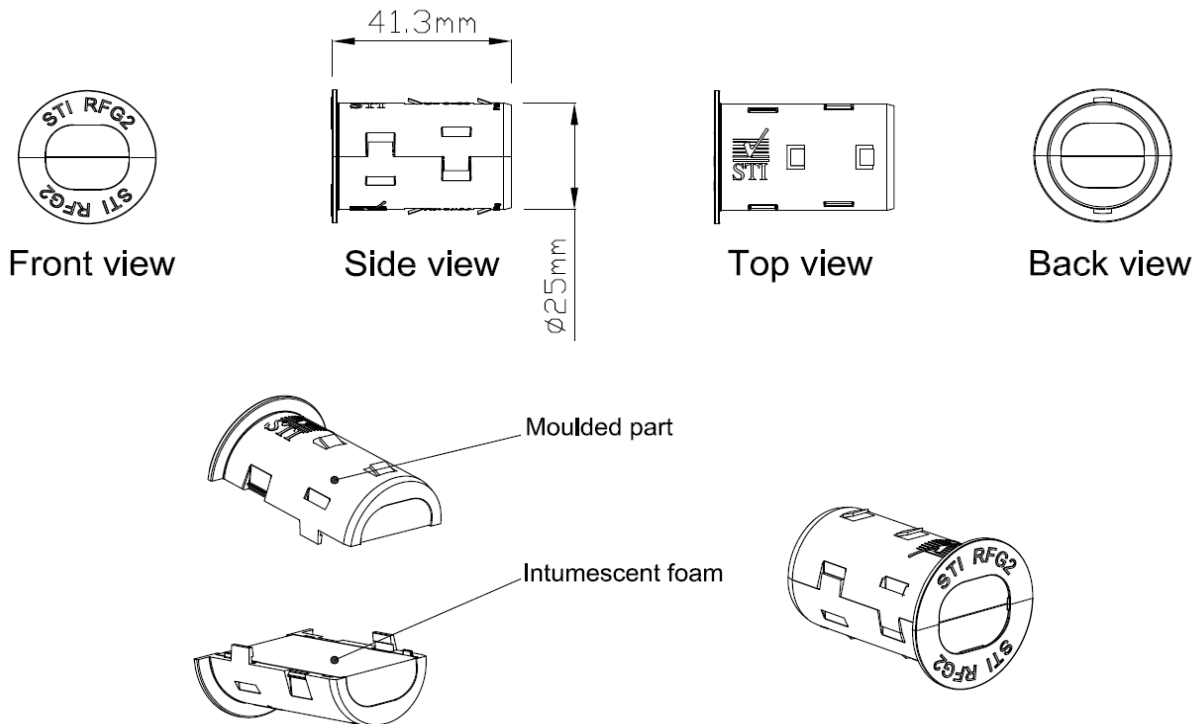
1	Technical description of the product	3
1.1	General.....	3
2	Specification of the intended uses of the product in accordance with the applicable European Assessment Document (Hereinafter EAD): EAD 350454-00-1104	4
3	Performance of the product and references to the methods used for its assessment.....	5
4	ASSESSMENT AND VERIFICATION OF CONSTANCY OF PERFORMANCE (HEREINAFTER AVCP) SYSTEM APPLIED, WITH REFERENCE TO ITS LEGAL BASE	6
5	Technical details necessary for the implementation of the AVCP system, as provided for in the applicable EAD	6
6	Issued on:	7
	ANNEX A – Manufacturer installation instructions	8
	ANNEX B – Resistance to Fire Classifications	10

SPECIFIC PARTS OF THE EUROPEAN TECHNICAL ASSESSMENT

1 Technical description of the product

1.1 General

- 1) The EZ-Firestop® Grommet is a cable management firestop device (plug), designed in one size (reference RFG2) and installed as a single penetration seal. One grommet shall be installed on each side of the wall. Each EZ-Firestop® Grommet consists of two symmetrical plastic molded parts incorporating one graphite based intumescent inlay. The two symmetrical pieces snap together using interlocking hooks arrangement as illustrated below:



- 2) EZ-Path Fire -rated Pathway can be used blank or with cables up to a total 14 mm diameter
- 3) The applicant has submitted a written declaration that EZ-Firestop® Grommet does not contain substances which have to be classified as dangerous according to Directive 67/548/EEC and Regulation (EC) No 1272/2008 and listed in the "Indicative list on dangerous substances" of the EGDS - taking into account the installation conditions of the construction product and the release scenarios resulting from there.

In addition to the specific clauses relating to dangerous substances contained in this European Technical Assessment, there may be other requirements applicable to the products falling within its scope (e.g. transposed European legislation and national laws, regulations and administrative provisions). In order to meet the provisions of the Construction Products Regulation, these requirements need also to be complied with, when and where they apply.

- 4) The use category of EZ-Firestop® Grommet in relation to BWR 3 (Hygiene, health and environment) is IA1, S/W3

2 Specification of the intended uses of the product in accordance with the applicable European Assessment Document (Hereinafter EAD): EAD 350454-00-1104

Detailed information and data is given in Annex A.

- 1) The intended use of EZ-Firestop® Grommet is to reinstate the fire resistance performance of flexible wall and rigid wall constructions, where they are penetrated by services.
- 2) The specific elements of construction that the system EZ-Firestop® Grommet may be used to provide a penetration seal in, are as follows:
 - a. Flexible walls: The wall must have a minimum thickness of 100 mm and comprise steel studs or timber studs lined on both faces with minimum 2 layers of 12.5 mm thick boards.
 - b. Rigid walls: The wall must have a minimum thickness of 100 mm and comprise concrete, aerated concrete or masonry, with a minimum density of 650 kg/m³.

The supporting construction must be classified in accordance with EN 13501-2 for the required fire resistance period.

- 3) EZ-Firestop Grommet can be used for single or multiple cables with a combined diameter not exceeding Ø14mm. Cables to be similar to standardized twisted pair cables for Ethernet and other networks or similar to small sheathed, 5 x 1.5 mm² (H07RN-F type) (for details see Annex A).
- 4) Services shall be supported at maximum 300 mm from both faces of the wall.
- 5) The provisions made in this European Technical Assessment are based on an assumed working life of the EZ-Firestop® Grommet of 10 years, provided that the conditions laid down in sections 4.2/5.1/5.2 for the packaging/transport/ storage/installation/use/repair are met. The indications given on the working life cannot be interpreted as a guarantee given by the producer, but are to be regarded only as a means for choosing the right products in relation to the expected economically reasonable working life of the works.
- 6) Type Y₂: Intended for use at temperatures below 0°C, but with no exposure to rain nor UV. Includes lower classes.

3 Performance of the product and references to the methods used for its assessment

Product-type: Plug		Intended use: Penetration Seal
Assessment method	Essential characteristic	Product performance
BWR 2 Safety in case of fire		
EN 13501-1	Reaction to fire	Class 'E'
EN 13501-2	Resistance to fire	Annex A & B
BWR 3 Hygiene, health and environment		
EN 1026	Air permeability	No performance determined
EAD 350454-00-1104, Annex C	Water permeability	No performance determined
Declaration of manufacturer & EN 16516	Content, emission and/or release of dangerous substances	Use categories: IA1, S/W3 Declaration of manufacturer
BWR 4 Safety in use		
EOTA TR 001:2003	Mechanical resistance and stability	No performance determined
EOTA TR 001:2003	Resistance to impact/movement	
EOTA TR 001:2003	Adhesion	
EAD 350454-00-1104, Clause 2.2.9	Durability	Y ₂
BWR 5 Protection against noise		
EN 10140-1,2,4,5/ EN ISO 717-1	Airborne sound insulation	No performance determined
BWR 6 Energy economy and heat retention		
EN 12664, EN 12667, EN 12939, EN ISO 8990, EN ISO 6946, EN ISO 14683, EN ISO 10211, EN ISO 10456	Thermal properties	No performance determined
EN ISO 12572, EN 12086, EN ISO 10456	Water vapour permeability	No performance determined

4 ASSESSMENT AND VERIFICATION OF CONSTANCY OF PERFORMANCE (HEREINAFTER AVCP) SYSTEM APPLIED, WITH REFERENCE TO ITS LEGAL BASE

According to the decision 1999/454/EC – Commission Decision of date 22nd June 1999 on the procedure for attesting the conformity of construction products pursuant to Article 20(2) of Council Directive 89/106/EEC as regards fire stopping, fire sealing and fire protective products, published in the Official Journal of the European Union (OJEU) L178/52 of 14/07/1999, see <http://eur-lex.europa.eu/JOIndex.do> of the European Commission¹, as amended, the system(s) of assessment and verification of constancy of performance (see Annex V to Regulation (EU) No 305/2011) given in the following table(s) applies (apply).

Product(s)	Intended use(s)	Level(s) or class(es)	System(s)
Fire stopping and Fire Sealing Products	For fire compartmentation and/or fire protection or fire performance	Any	1

5 Technical details necessary for the implementation of the AVCP system, as provided for in the applicable EAD

Tasks of the manufacturer:

Factory production control

The manufacturer shall exercise permanent internal control of production. All the elements, requirements and provisions adopted by the manufacturer shall be documented in a systematic manner in the form of written policies and procedures, including records of results performed. This production control system shall ensure that the product is in conformity with this European technical Assessment.

The manufacturer may only use initial / raw / constituent materials stated in the technical documentation of this European Technical Assessment.

The factory production control shall be in accordance with the Control Plan of 25th April 2018 relating to the European Technical Assessment ETA 18/0307 issued on 11/06/2018 which is part of the technical documentation of this European Technical Assessment. The "Control Plan" is laid down in the context of the factory production control system operated by the manufacturer and deposited at UL International (UK) Ltd.

The results of factory production control shall be recorded and evaluated in accordance with the provisions of the Control Plan.

¹ Official Journal of the European Communities L178/52 of 14/7/1999

Other tasks of the manufacturer

Additional information

The manufacturer shall provide a technical data sheet and an installation instruction with the following minimum information:

(a) Technical data sheet:

- Field of application:
- Building elements for which the linear joint seal or penetration seal is suitable, type and properties of the building elements like minimum thickness, density, and - in case of lightweight constructions – the construction requirements.
- Limits in size, minimum thickness etc. of the joint or penetration seal
- Construction of the linear joint seal or penetration seal including the necessary components and additional products (e.g. backfilling material) with clear indication whether they are generic or specific.
- Services which the penetration seal is suitable, type and properties of the services like material, diameter, thickness etc. in case of pipes including insulation materials; necessary/allowed supports/fixings (e.g. cable trays)

(b) Installation instruction:

- Steps to be followed
- Procedure in case of retrofitting
- Stipulations on maintenance, repair and replacement

6 Issued on:

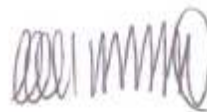
11th June 2018

Report by:



C. Johnson
Staff Engineer
Building and Life Safety Technologies

Reviewed by:



C. W. Miles
Business Manager – Europe & Latin America
Building and Life Safety Technologies

For and on behalf of UL International (UK) Ltd.

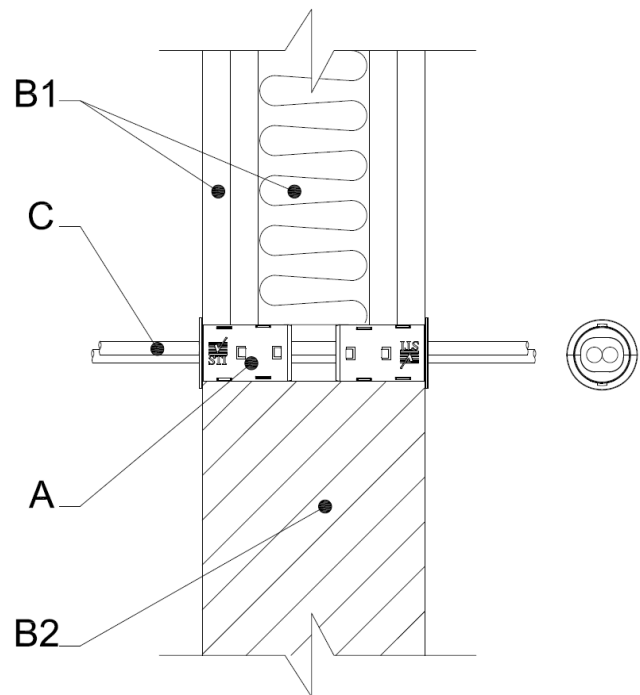
ANNEX A – Manufacturer installation instructions

A : EZ-Firestop® Grommet RFG2

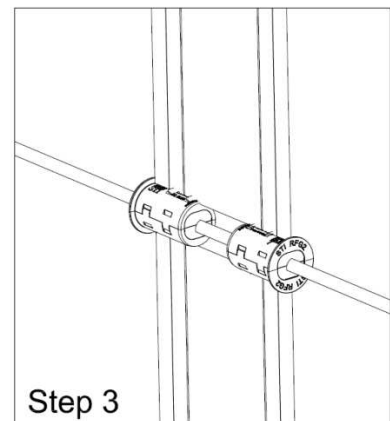
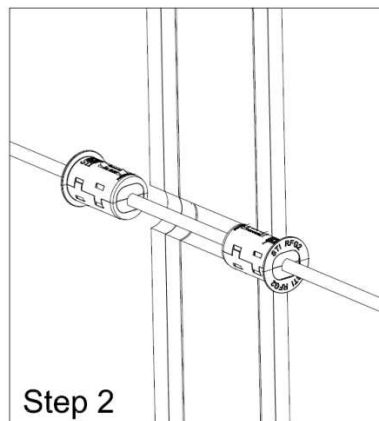
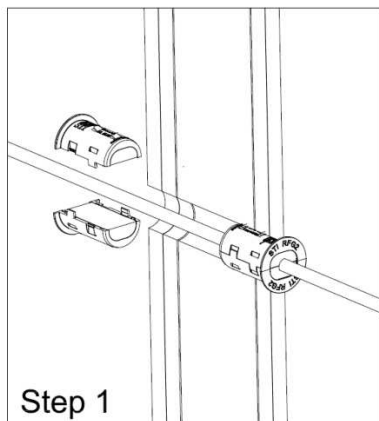
B1 : Flexible wall

B2 : Rigid wall

C : Cables



Installation Method :



Step 1 and Step 2:

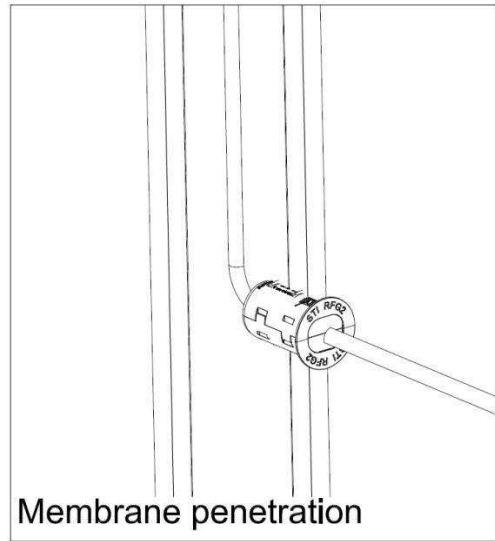
Place the two halves of the EZ-Firestop® Grommet around the cable(s) and snap together.

Step 3:

Firmly push the EZ-Firestop® Grommet into wall opening to lock in place.

Optional : Installation Method

When cable(s) penetrates wall on one side only, the EZ-Firestop® Grommet is installed on the penetrated side only



ANNEX B – Resistance to Fire Classifications

Penetration Seal	Opening size (mm)	Ø Cable 1)	Flexible wall	Rigid wall
			≥ 100mm thick	≥ 100mm thick
EZ-Firestop® Grommet	Ø25mm	OD ≤ Ø 14 mm	EI 120	EI 120

1) Maximum outside diameter.
Refer to 2.3) for description of the services



EC CERTIFICATE

Notified Body No. 0843

CPR Notified Body, UL International (UK) Ltd., Wonerish House, The Guildway, Old Portsmouth Road, Guildford, Surrey, GU3 1LR, United Kingdom

Certificate of constancy of performance 0843-CPR-0428

In compliance with the Regulation 305/2011/EU of the European Parliament and of the Council of 9 March 2011 (the Construction Products Regulation or CPR), this certificate applies to the construction product

EZ-Firestop® Grommet **Penetration Seal Classified for use in flexible walls & solid walls**

A cable management firestop device (plug), designed in one size (reference RFG2) and installed as a single penetration seal. EZ-Firestop® Grommet is used to form a penetration seal to reinstate the fire resistance performance of flexible wall & solid wall constructions, where they have been provided with apertures for the penetration of services.

placed on the market under the name or trade mark of

Legrand
BP 30076
87002 Limoges CEDEX France
and produced in the manufacturing plant
C/003, C/007

This certificate attests that all provisions concerning the assessment and verification of constancy of performance described in the

ETA 18/0307, issued on 11/06/2018

and

EAD 350454-00-1104

under system AVCP 1 for the performance set out in the ETA are applied and that the factory production control conducted by the manufacturer is assessed to ensure the

constancy of performance of the construction product.

This certificate was first issued on 12th July 2018 and will remain valid as long as neither the ETA, the EAD, the construction product, the AVCP methods nor the manufacturing conditions in the plant are modified significantly, unless suspended or withdrawn by the notified product certification body.

12th July 2018

Mr. Chris Miles, Head of Notified Body



EC CERTIFICATE

Notified Body No. 0843

CPR Notified Body UL International (UK) Ltd., Wonersh House, The Guildway, Old Portsmouth Road, Guildford, Surrey, GU3 1LR, United Kingdom

Annex: Detailed information sheet

Certificate Number: 0843-CPR-0428

Product/Device description:

EZ-Firestop® Grommet

Applicant designation:

Legrand
BP 30076
87002 Limoges CEDEX France

Product Information:

EZ-Firestop® Grommet
The referenced product complies with:

A – All the relevant requirements as per ETA 18/0307, EAD 350454-00-1104

ETA valid issue date:

ETA 18/0307 - issued on 11/06/2018

12th July 2018

A handwritten signature in blue ink, appearing to read 'Chris Miles'.

Mr. Chris Miles, Head of Notified Body